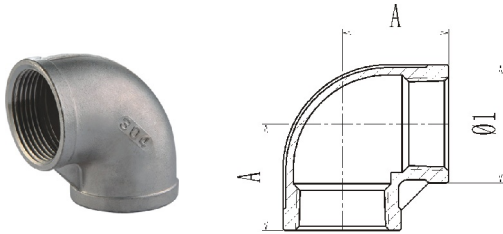
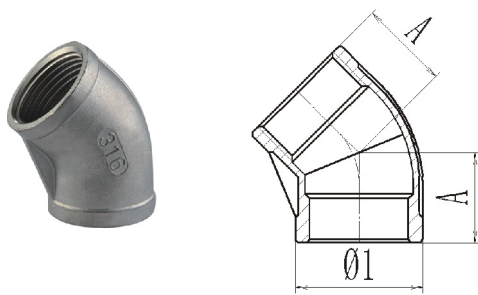


09E111N Series - 90° Elbow



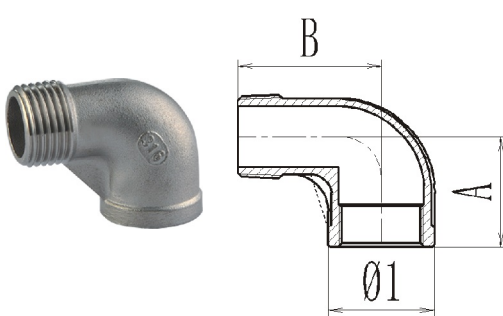
Size In	Part No.		Dimension(in)		Weight LB
	304	316	§ 1	A	
1/8	409E111N018	609E111N018	0.630±0.012	0.669±0.039	0.06
1/4	409E111N014	609E111N014	0.748±0.012	0.752±0.039	0.08
3/8	409E111N038	609E111N038	0.890±0.012	0.898±0.039	0.12
1/2	409E111N012	609E111N012	1.110±0.020	1.122±0.039	0.19
3/4	409E111N034	609E111N034	1.378±0.020	1.201±0.039	0.26
1	409E111N010	609E111N010	1.685±0.020	1.437±0.039	0.51
1 1/4	409E111N114	609E111N114	2.035±0.020	1.705±0.039	0.74
1 1/2	409E111N112	609E111N112	2.319±0.020	1.890±0.039	1.04
2	409E111N020	609E111N020	2.823±0.020	2.220±0.039	1.42
2 1/2	409E111N212	609E111N212	3.551±0.039	2.638±0.039	3.08
3	409E111N030	609E111N030	4.193±0.039	3.083±0.039	4.42
4	409E111N040	609E111N040	5.268±0.039	3.732±0.039	6.74

04E111N Series - 45° Elbow



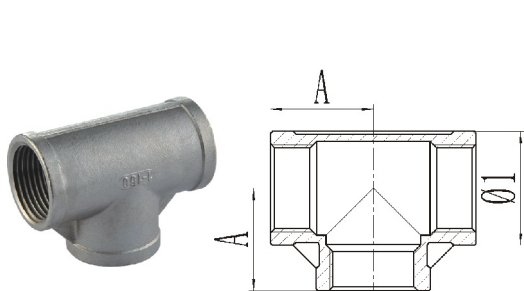
Size In	Part No.		Dimension(in)		Weight LB
	304	316	§ 1	A	
1/8	404E111N018	604E111N018	0.630±0.012	0.728±0.039	0.08
1/4	404E111N014	604E111N014	0.705±0.012	0.748±0.039	0.08
3/8	404E111N038	604E111N038	0.886±0.012	0.748±0.039	0.10
1/2	404E111N012	604E111N012	1.181±0.020	0.866±0.039	0.24
3/4	404E111N034	604E111N034	1.386±0.020	0.906±0.039	0.34
1	404E111N010	604E111N010	1.752±0.020	1.102±0.039	0.53
1 1/4	404E111N114	604E111N114	2.047±0.020	1.260±0.039	0.66
1 1/2	404E111N112	604E111N112	2.343±0.020	1.378±0.039	0.89
2	404E111N020	604E111N020	2.835±0.020	1.654±0.039	1.32
2 1/2	404E111N212	604E111N212	3.555±0.039	1.850±0.039	2.96
3	404E111N030	604E111N030	4.193±0.039	2.047±0.039	3.91
4	404E111N040	604E111N040	5.291±0.039	2.598±0.039	5.76

0SE113N Series - Street Elbow



Size In	Part No.		Dimension(in)			Weight LB
	304	316	§ 1	A	B	
1/8	40SE113N018	60SE113N018	0.571±0.012	0.709±0.039	1.020±0.039	0.04
1/4	40SE113N014	60SE113N014	0.709±0.012	0.827±0.039	1.161±0.039	0.07
3/8	40SE113N038	60SE113N038	0.878±0.012	0.925±0.039	1.555±0.039	0.11
1/2	40SE113N012	60SE113N012	1.122±0.020	1.130±0.039	1.681±0.039	0.18
3/4	40SE113N034	60SE113N034	1.398±0.020	1.299±0.039	1.831±0.039	0.29
1	40SE113N010	60SE113N010	1.732±0.020	1.496±0.039	2.087±0.039	0.51
1 1/4	40SE113N114	60SE113N114	2.087±0.020	1.732±0.039	2.500±0.039	0.33
1 1/2	40SE113N112	60SE113N112	2.362±0.020	1.850±0.039	2.717±0.039	1.03
2	40SE113N020	60SE113N020	2.854±0.020	2.362±0.039	3.346±0.039	1.75
2 1/2	40SE113N212	60SE113N212	3.516±0.039	2.618±0.039	4.134±0.039	2.82
3	40SE113N030	60SE113N030	4.173±0.039	3.055±0.039	4.429±0.039	4.00
4	40SE113N040	60SE113N040	5.197±0.039	3.858±0.039	5.008±0.039	6.03

0TB111N Series - Tee



Size In	Part No.		Dimension(in)		Weight LB
	304	316	§ 1	A	
1/8	40TE111N018	60TE111N018	0.630±0.012	0.709±0.039	0.09
1/4	40TE111N014	60TB111N014	0.748±0.012	0.768±0.039	0.11
3/8	40TE111N038	60TE111N038	0.886±0.012	0.933±0.039	0.18
1/2	40TE111N012	60TB111N012	1.110±0.020	1.138±0.039	0.27
3/4	40TE111N034	60TE111N034	1.386±0.020	1.256±0.039	0.43
1	40TE111N010	60TB111N010	1.693±0.020	1.437±0.039	0.31
1 1/4	40TE111N114	60TE111N114	2.047±0.020	1.732±0.039	1.06
1 1/2	40TE111N112	60TE111N112	2.323±0.020	1.894±0.039	1.37
2	40TE111N020	60TE111N020	2.815±0.020	2.228±0.039	1.99
2 1/2	40TE111N212	60TE111N212	3.524±0.039	2.677±0.039	4.66
3	40TE111N030	60TE111N030	4.173±0.039	3.118±0.039	6.40
4	40TE111N040	60TE111N040	5.264±0.039	3.823±0.039	9.04

Dimensional tolerances are as per ISO 8062-3:2007 CT7 (for Castings) and ISO 2768-1:1989/M (for Machining)